

# **MATRIX TECHNOLOGY** **FOR TEXTILE INDUSTRY**

**ELECTROMECHANIC SELECTION BOXES**  
**PIEZOCERAMIC SELECTION BOXES**  
**PNEUMATIC SOLENOID VALVES & SYSTEMS**

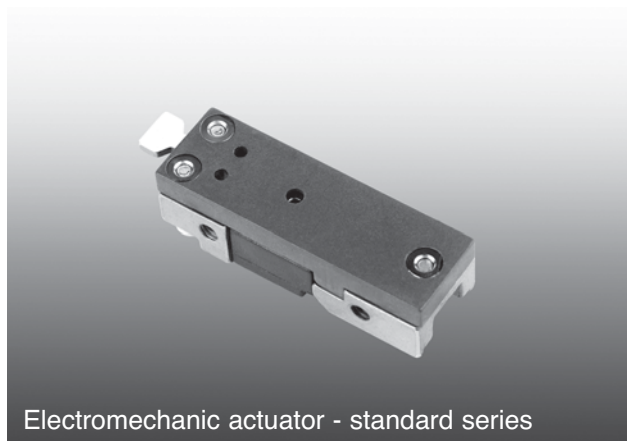


**PIONEER IN TEXTILE SELECTION SINCE 1990**

**MATRIX**  
mechatronics

## ELECTROMECHANIC TECHNOLOGY

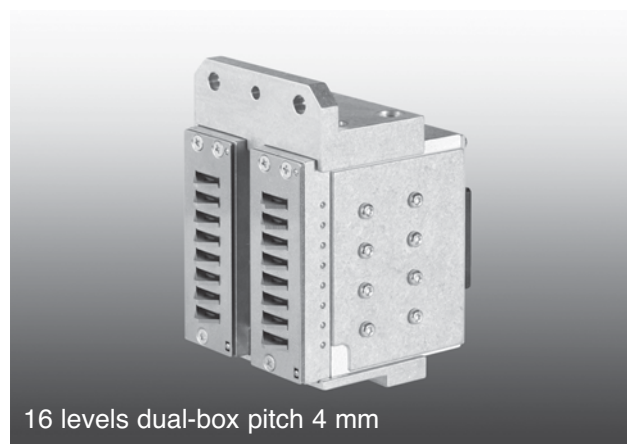
For sock-knitting machines and textile machinery and looms, **MATRIX** offers a wide range of electromechanic selection boxes, characterized by high reliability and great dynamic performances. The technology adopted by these actuators ensures ultra-fast switching times and unsurpassed accuracy granting high mechanical strength and durability even in the worst working conditions. This translates in an extremely long and maintenance-free operating life, with noticeable positive effects on the productivity and service costs.



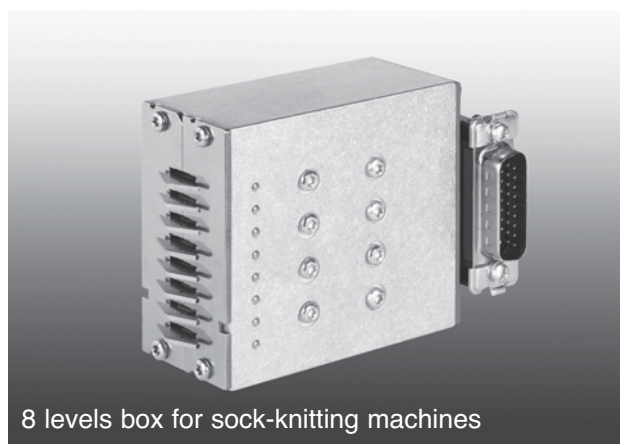
Electromechanic actuator - standard series



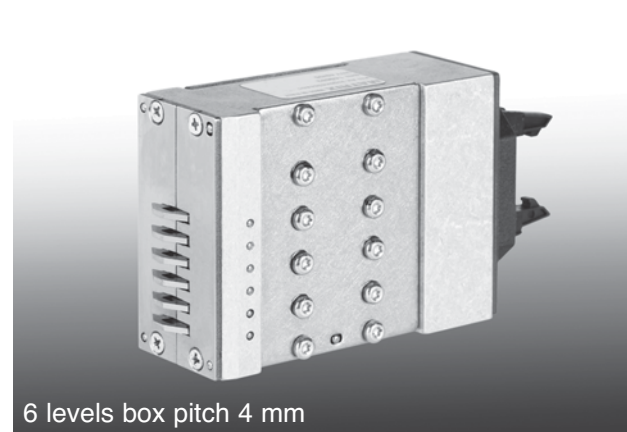
6 levels box for straight looms



16 levels dual-box pitch 4 mm



8 levels box for sock-knitting machines



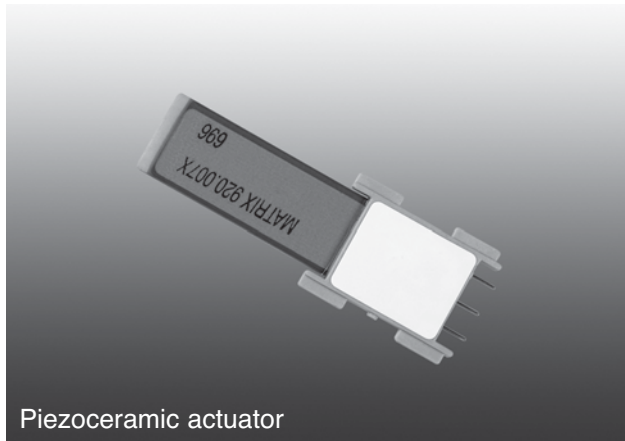
6 levels box pitch 4 mm



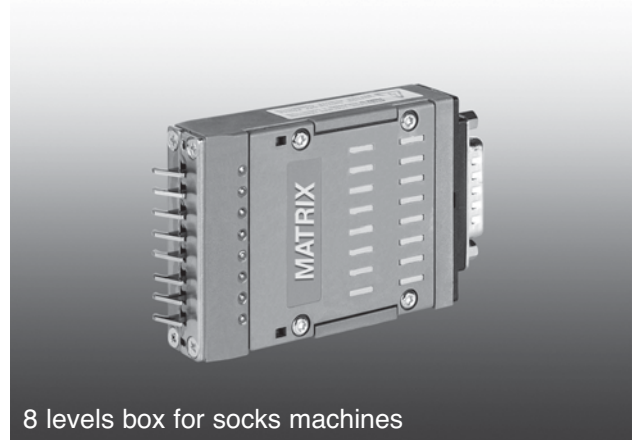
Electromechanic actuator - slim series

# PIEZOCERAMIC TECHNOLOGY

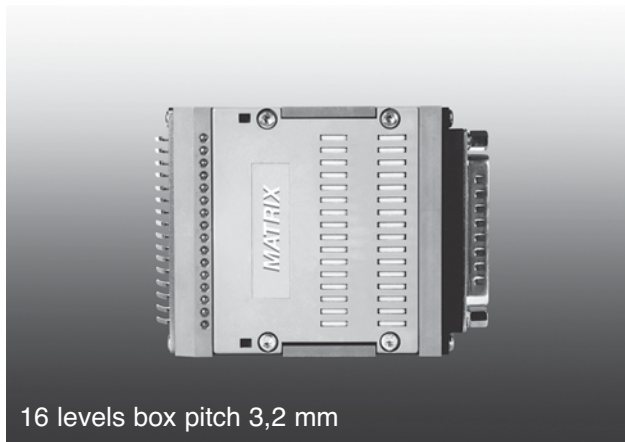
Advanced technology and high quality standards, supported by a strict co-operation with the most important textile machinery manufacturers allow to offer the widest range of piezoceramic selection boxes on the market. For both sock-knitting machines for man and women, stocking and pantyhose machines, underwear and lingerie equipments, linear Warp machines, straight looms and large diameter knitting equipments, **MATRIX** piezoceramic selection boxes ensure the highest reliability and productivity levels. The compactness as well as the performances offered by **MATRIX** innovative technology grant a remarkable power consumption reduction and a precision level never achieved before in textile applications.



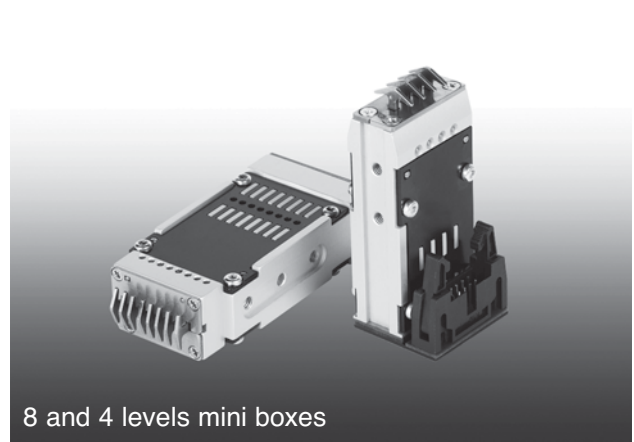
Piezoceramic actuator



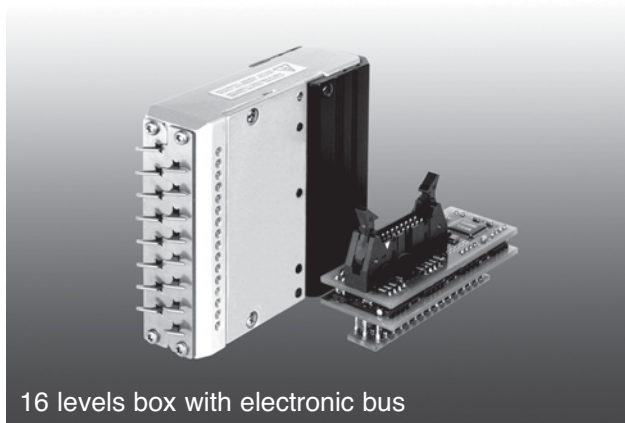
8 levels box for socks machines



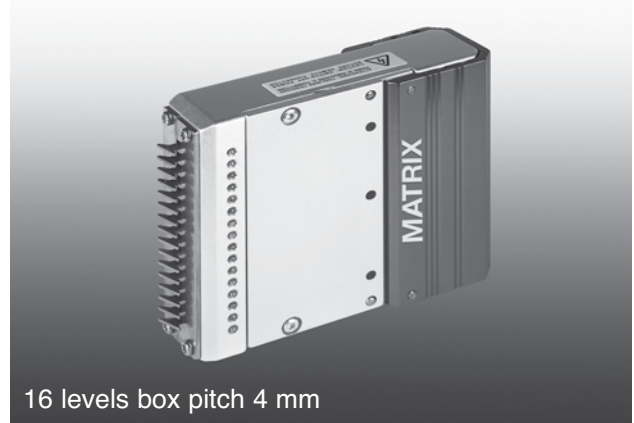
16 levels box pitch 3,2 mm



8 and 4 levels mini boxes



16 levels box with electronic bus

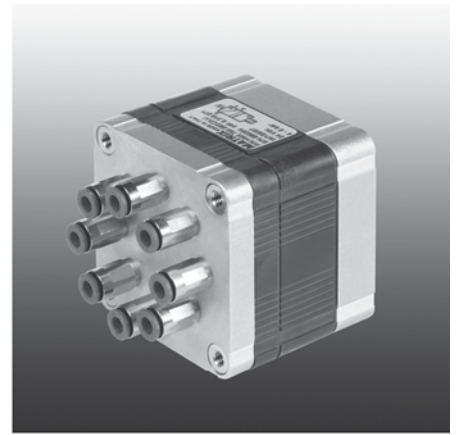
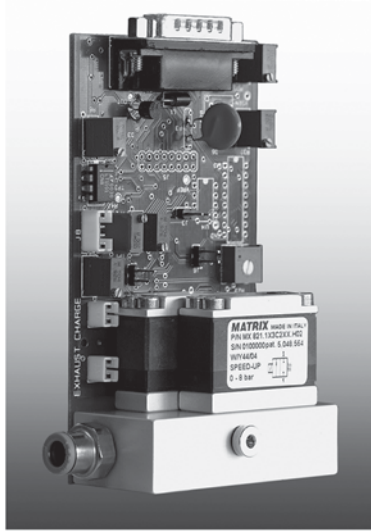
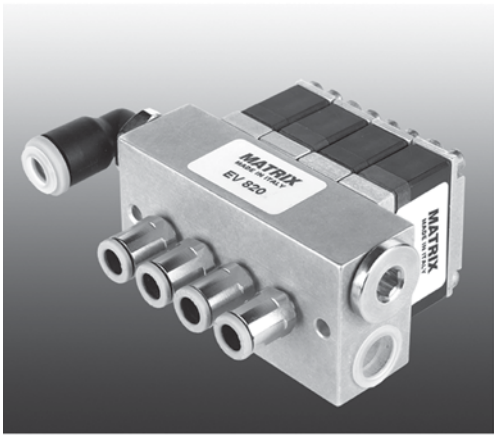


16 levels box pitch 4 mm

## PNEUMATIC TECHNOLOGY

A wide range of pneumatic products and solutions expressly developed for the textile industry requirements. The 320 Series, 720 Series, 820 Series and 750 Series represent the most advanced and performing technical solutions for several textile applications, offering a noticeable improvement of the reliability and productivity. **MATRIX** technology allows the use of the most modern techniques of pressure and flowrate control such as PWM (Pulse Width Modulation), PFM (Pulse Frequency Modulation) and PCM (Pulse Code Modulation).

The process of evolution is determined by advanced technology, in which **MATRIX** solenoid valves and pneumatic systems play a leading role (1).



(1) For further information regarding **MATRIX** solenoid valves and pneumatic systems, please refer to the Pneumatic Division products catalogue.



**MATRIX**  
mechatronics

**MATRIX S.p.A. - Textile Division** - Corso Vercelli n. 330, 10015 Ivrea (To) Italy  
Tel +39 0125 615442 - Fax: +39 0125 615377 - matrix@matrix.to.it - www.matrix.to.it

